



Features & Benefits

- » Compact size perfect for limited space enclosures
- » UL Listed 1863
- » Versatile surface or DIN-Rail mount capability
- » Slide-hinged faceplate aids field termination
- » Rugged metal construction with lifetime warranty
- » ROHS Compliant Construction

Product Description

Compact DIN-Rail or surface-mount Ethernet shielded CAT 6 patch panel. Keystone jacks support both CAT 6 or CAT 5 in shielded or unshielded cable configurations. Compact size allows minimum space requirements within control cabinetry. Device includes large openings on top and bottom of the patch panel to accommodate a large volume of field Ethernet cabling. Device features a sliding faceplate with capture mechanism to allow patch panel to be kept open “hands-free”.

Part Number	External Interface	Internal Interface
SNAP-Cu-12	12ea. RJ45 shielded CAT 6 jacks	CAT 6, T 568A/B punch down

Product Specifications

Standards: UL Listed 1863 (Communications-Circuit Accessories), CE

Adapter Wiring Standards

Keystone jacks: Punch down CAT 6 shielded, Class E, TIA/EIA 568A/B
Jack standards: TIA/EIA-568B-B.2.1 CAT 6, ISO/IEC 11801 2nd edition, EN 50173 2nd edition, IEC60603-7
Field cabling: Accepts AWG 23~26 solid wire

Electrical Rating

Current rating: 1.5 Amps
Insulation resistance: 500 M ohms Minimum
Contact resistance: 20 M ohms Maximum
DC resistance: 0.1 ohms Maximum

Ambient Conditions

Operating temperature: -40°F to 150°F (-40°C to 68°C)
Storage/transport temperature: -40°F to 150°F (-40°C to 68°C)

Mechanical Construction

Dimensions with adapters installed: (H x D x W) 5.5” x 5.33” x 3.43”
Mounting options: Rear DIN-Rail, side DIN-Rail or rear surface
Weight: 2 lbs.
Protection class: IP20

Materials of Construction

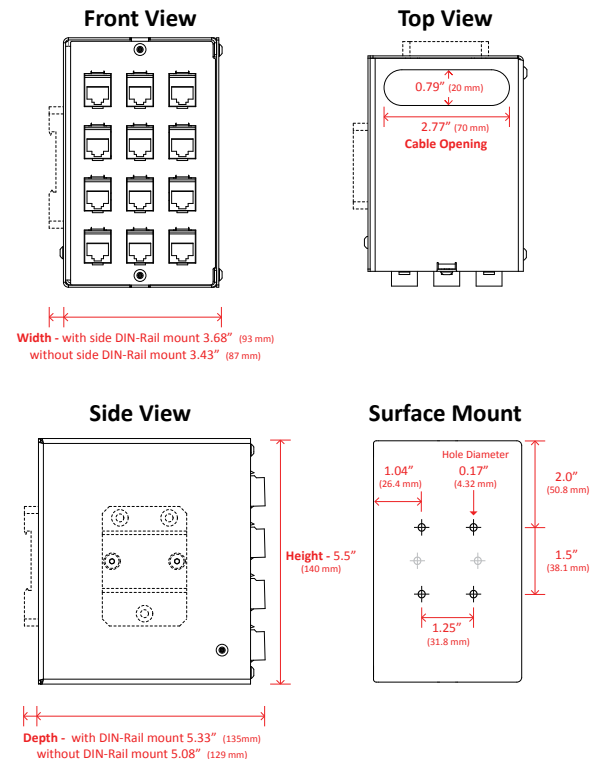
Patch panel body and faceplate: 18 gauge powder-coat painted steel
CAT 6 jacks: Thermoplastic body with steel plated-tin, electrolytic (SPTE) shield

Warranty

Lifetime warranty on materials and workmanship

Scope of Delivery and Accessories

Patch panel, 12ea. keystone-style shielded CAT 6 jacks, punch-down tool, DIN-Rail mounting adapter





Features & Benefits

- » Compact size perfect for limited space enclosures
- » UL Listed 1863
- » Versatile surface or DIN-Rail mount capability
- » Slide-hinged faceplate aids field termination
- » Patch or fusion splice field termination standard
- » Rugged metal construction with lifetime warranty

Product Description

Compact DIN-Rail or surface mount fiber optic patch panel. Compact size allows minimum space requirements within control cabinetry. Device includes a splice tray to allow fusion splicing of field cabling (pigtailed sold separately). Device features a sliding faceplate with capture mechanism to allow patch panel to be kept open “hands-free”.

Product Variants

Part Number	External Interface	Internal Interface	Fiber Optic Wavelength
SNAP-12ST-MM	6ea. ST duplex connectors.	6ea. ST duplex connectors.	Multimode
SNAP-12ST-SM	6ea. ST duplex connectors.	6ea. ST duplex connectors.	Singlemode
SNAP-12ST-SC-MM	6ea. ST duplex connectors.	6ea. SC duplex connectors.	Multimode
SNAP-12ST-SC-SM	6ea. ST duplex connectors.	6ea. SC duplex connectors.	Singlemode
SNAP-12SC-MM	6ea. SC duplex connectors.	6ea. SC duplex connectors.	Multimode
SNAP-12SC-SM	6ea. SC duplex connectors.	6ea. SC duplex connectors.	Singlemode
SNAP-24LC-MM	6ea. LC quad connectors.	6ea. LC quad connectors.	Multimode
SNAP-24LC-SM	6ea. LC quad connectors.	6ea. LC quad connectors.	Singlemode

Custom fiber optic adapter variations are available via special order. Contact us.

Specifications

Standards: UL Listed 1863 (Communications-Circuit Accessories), CE

Operating temperature: -40°C to 75°C

Storage/transport temperature: -40°C to 80°C

Relative humidity (non-condensing): 10% to 95%

Insertion Loss: ≤.3dB (Multimode), ≤.2dB (Singlemode)

Plug/Unplug Durability: 1000 times

Mechanical Construction

Dimensions with adapters installed: (H x D x W) 6.25" x 5.125" x 2.75"

Mounting Options: Rear DIN-Rail, side DIN-Rail or surface mount

Weight: 1.5 lbs.

Protection class: IP20

Materials of Construction

Patch panel body and faceplate: 18 gauge powder-coat painted steel

Fiber optic adapters: UL 90 V-0 Thermoplastic

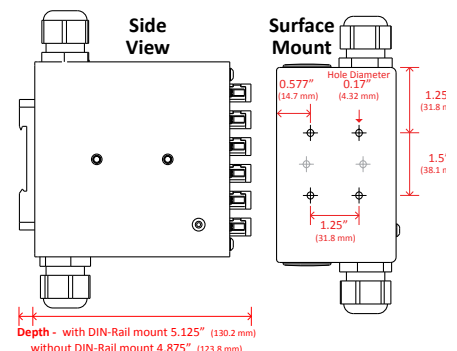
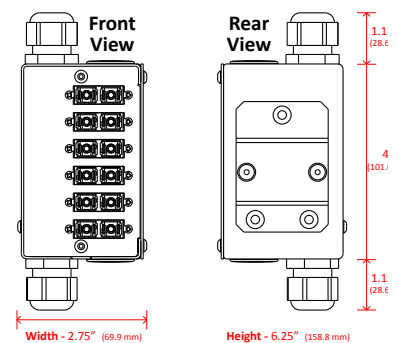
Cable Glands: Plastic with max. cable diameter of 12mm (14mm max. also available)

Warranty

Lifetime warranty on materials and workmanship.

Scope of Delivery and Accessories

Scope of delivery: Patch panel, DIN-Rail mounting adapter, 2ea. cable glands.





Features & Benefits

- » Compact size perfect for limited space enclosures
- » UL Listed 1863
- » Versatile surface or DIN-Rail mount capability
- » Slide-hinged faceplate aids field termination
- » Patch or fusion splice field termination standard
- » Rugged metal construction with lifetime warranty

Product Description

Compact DIN-Rail or surface mount fiber optic patch panel. Compact size allows minimum space requirements within control cabinetry. Device includes splice trays to allow fusion splicing of field cabling (pigtailed sold separately). Device features a sliding faceplate with capture mechanism to allow patch panel to be kept open “hands-free”.

Product Variants

Part Number	External Interface	Internal Interface	Fiber Optic Wavelength
SNAPXL-24ST-MM	12ea. ST duplex connectors.	12ea. ST duplex connectors.	Multimode
SNAPXL-24ST-SM	12ea. ST duplex connectors.	12ea. ST duplex connectors.	Singlemode
SNAPXL-24ST-SC-MM	12ea. ST duplex connectors.	12ea. SC duplex connectors.	Multimode
SNAPXL-24ST-SC-SM	12ea. ST duplex connectors.	12ea. SC duplex connectors.	Singlemode
SNAPXL-24SC-MM	12ea. SC duplex connectors.	12ea. SC duplex connectors.	Multimode
SNAPXL-24SC-SM	12ea. SC duplex connectors.	12ea. SC duplex connectors.	Singlemode
SNAPXL-48LC-MM	12ea. LC quad connectors.	12ea. LC quad connectors.	Multimode
SNAPXL-48LC-SM	12ea. LC quad connectors.	12ea. LC quad connectors.	Singlemode

Custom fiber optic adapter variations are available via special order. Contact us.

Specifications

- Standards:** UL Listed 1863 (Communications-Circuit Accessories), CE
- Operating temperature:** -40°C to 75°C
- Storage/transport temperature:** -40°C to 80°C
- Relative humidity (non-condensing):** 10% to 95%
- Insertion Loss:** ≤.3dB (Multimode), ≤.2dB (Singlemode)
- Plug/Unplug Durability:** 1000 times

Mechanical Construction

- Dimensions with adapters installed:** (H x D x W) 7.75" x 5.75" x 3.5"
- Mounting Options:** Rear DIN-Rail, side DIN-Rail or surface mount
- Weight:** 2.3 lbs.
- Protection class:** IP20

Materials of Construction

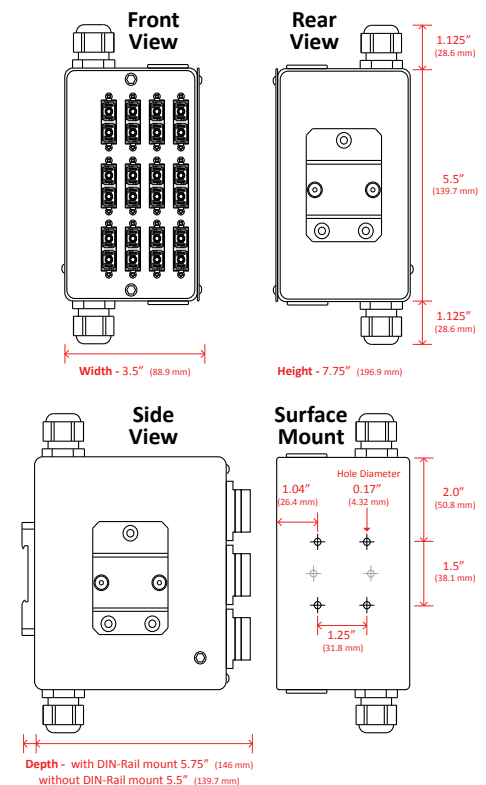
- Patch panel body and faceplate:** 18 gauge powder-coat painted steel
- Fiber optic adapters:** UL 90 V-0 Thermoplastic
- Cable Glands:** Plastic with max. cable diameter of 12mm (14mm max. also available)

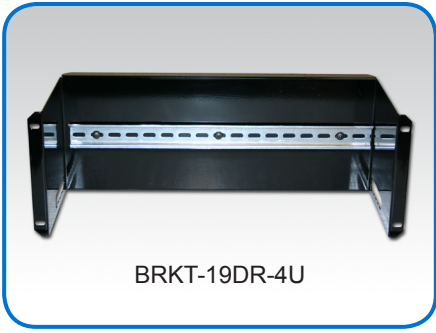
Warranty

Lifetime warranty on materials and workmanship.

Scope of Delivery and Accessories

Scope of delivery: Patch panel, DIN-Rail mounting adapter, 2ea. cable glands.





Features & Benefits

- » One-piece construction with no assembly required
- » Keeps cabinet tidy with optional cable management
- » Rugged steel construction with lifetime warranty
- » Supports up to 50lbs of DIN-Rail equipment

Product description

SNAP 19" rackmount DIN-Rail adapter brackets allow you to mount standard 35mm DIN-Rail devices within your 19" rack or cabinet. Constructed of heavy-duty powder-coated 16-gauge steel, the adapter brackets each support up to 50 pounds of weight. Available in two configurations, the 5U version features a built-in cable management system to help keep your cables organized, while the slender 4U design allows you to optimize your cabinet storage capacity.

Product Variants

Part Number	Rackspace Requirements	Cable Management
BRKT-19DR-4U	4U	None
BRKT-19DR-5U-CM	5U	Included

Ambient Conditions

Operating temperature: -40°C - 80°C
 Storage/transport temperature: -40°C - 80°C

Mechanical Construction

Rack Dimensions

BRKT-19DR-4U: (H x D x W) 6.75" x 6.75" x 19"
BRKT-19DR-5U-CM: (H x D x W) 8.65" x 6.75" x 19"

Mounting: 19" rackmount via four mounting holes
Weight: 5lbs.

Protection class: IP20

DIN-Rail Depth - 7.5mm

Materials of Construction

Body: 16-gauge powder-coat painted steel
DIN-Rail: Steel
Optional Cable Management: Thermoplastic

Warranty

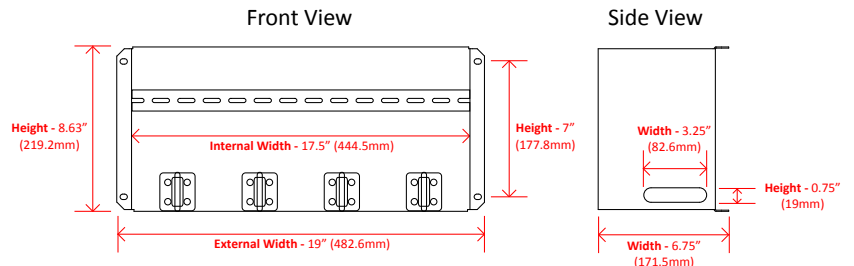
Lifetime warranty on materials and workmanship

Scope of Delivery

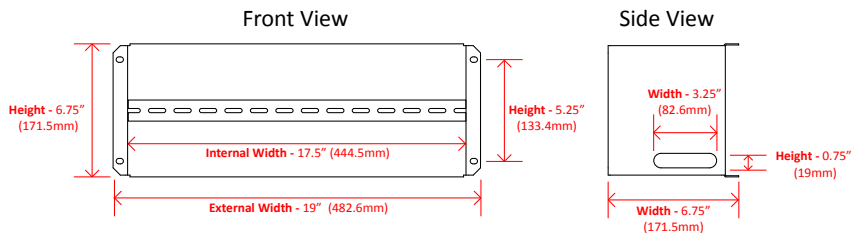
BRKT-19DR-4U: Rackmount adapter

BRKT-19DR-5U-CM: Rackmount adapter, 4ea. pre-mounted cable management guides

BRKT-19DR-5U-CM Rackmount Adapter Bracket with Cable Management



BRKT-19DR-4U Rackmount Adapter Bracket





Features & Benefits

- » Versatile side or rear DIN-rail mount orientations
- » 18-gauge steel construction rather than flimsy aluminum extrusions
- » Stainless steel mounting fasteners
- » Rugged powder-coating
- » Backed by a lifetime warranty
- » Backwards compatible with Sierra Wireless Raven X cellular gateways

Product Description

BRKT GX series brackets mount Sierra Wireless GX400 & GX440 industrial cellular gateways onto DIN-rail. The BRKT-GX-SIDE allows the gateway to be mounted with a side-facing profile, while the BRKT-GX-REAR mounts the device with a forward-facing profile.

Product Variants

Part Number	Description
BRKT-GX-SIDE	BRKT GX series side-mount DIN-rail mounting bracket for Sierra Wireless GX400/440 cellular gateways.
BRKT-GX-REAR	BRKT GX series rear-mount DIN-rail mounting bracket for Sierra Wireless GX400/440 cellular gateways.

Specifications

Storage/Operating temperature: -40°C to 80°C

Mechanical Construction

Dimensions:

BRKT-GX-SIDE: (H x D x W) 3.0" x 1.0" x 3.14"

BRKT-GX-REAR: (H x D x W) 3.0" x 0.78" x 5.85"

Mounting Options:

BRKT-GX-SIDE: Side DIN-rail

BRKT-GX-REAR: Rear DIN-rail

Weight:

BRKT-GX-SIDE: 3 oz.

BRKT-GX-REAR: 5 oz.

Materials of Construction

Mounting Hardware: 18-gauge powder-coat painted steel

Mounting Screws: Stainless steel

DIN-Rail Clip: Fiberglass reinforced Nylon 66

Warranty

Lifetime warranty on materials and workmanship.

Scope of Delivery and Accessories

DIN-rail bracket, mounting hardware.